

CM-AF540SO Push for Emergency Assistance and Illuminated Annunciator with Sounder

INSTALLATION INSTRUCTIONS

THIS PACKAGE INCLUDES:

- 1 - Push Button Illuminated Annunciator & Sounder
- 1 - 6" Blue Wire C/W Insul. Spade Conn.
- 4 - #6-32 x 3/4" Tamperproof Screws
- 1 - 6" Orange Wire C/W Insul. Spade Conn.
- 4 - #6-32 x 3/4" FH PH S/S Screws
- 2 - Wire Nuts
- 2 - 6-32 x 3/4" FH Phil Zinc Plated Screws
- 1 - Tamperproof Key
- 2 - 6" Gray Wire C/W Insul. Spade Connector



1. GENERAL DESCRIPTION

The Camden CM-AF540SO Press for Emergency Assistance and Illuminated Annunciator is designed for industrial and commercial applications, where illuminated signage and an audible indicator is required. The volume control allows you to adjust sounder output. The faceplate is Stainless Steel with a 1-3/8" Square Lens. This unit requires 12/24V AC/DC to operate.

2. SPECIFICATIONS

Voltage	12 - 24V AC/DC
Current Draw	80mA @ 12V DC 40mA @ 24V DC
Contact Types	N/O (Normally Open) N/C (Normally Close)
Contact Rating	6A @ 30V AC/DC
Switch Type	Momentary
Standard Finish	US32/C32D
Dimensions	4-1/2" H x 4-1/2" W x 1-1/2" D (114mm x 114mm x 38mm)

3. APPLICATION

Camden Illuminated Annunciator with Sounder is ideal for areas that require a visual and audible indicator where emergency assistance has been requested such as restrooms or hospital rooms. It can be surface or flush mounted to a double gang electrical box.

Camden Illuminated Annunciator is designed to control electric locks, electro-magnetic locks, electric strikes, automatic doors, and low energy operators.

4. DIMENSIONS

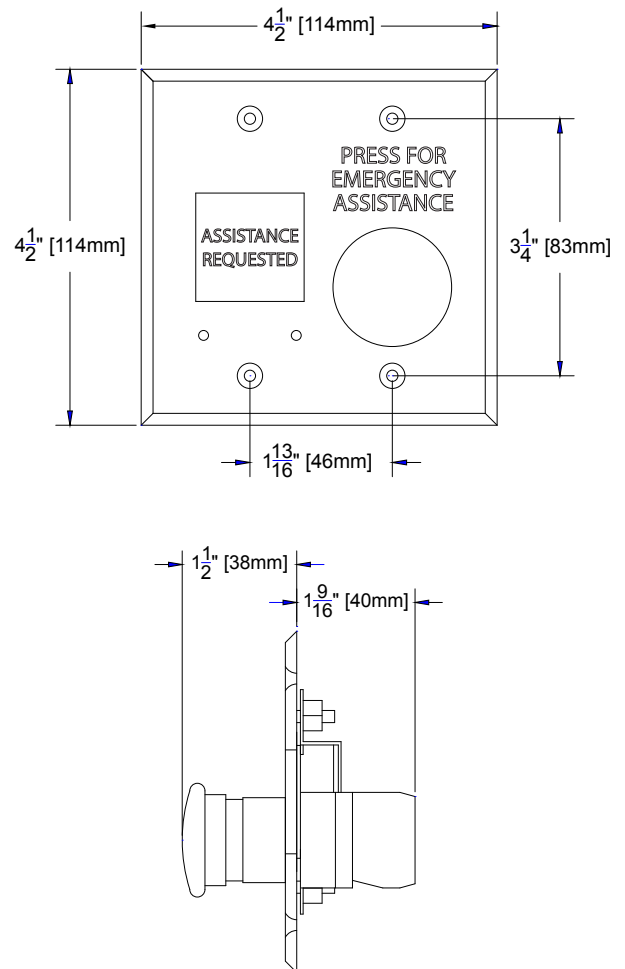


Figure 4.1 Dimensions

CM-AF540SO Illuminated Annunciator with Sounder

INSTALLATION INSTRUCTIONS

5. INSTALLATION

The CM-AF540SO comes with two contact blocks: 1 - Normally Open (N.O.) and 1 - Normally Closed (N.C.).

5.1 Contact Block Wiring:

Insert the wires into the top and the bottom terminal connections of the contact block and tighten the two screw terminals. The contact block has its screw terminals numbered to match the provided diagrams that you can follow easily and clearly. (See Figure 5.1)

5.2 Illuminated Annunciator Wiring:

Refer to the table in Section 7. WIRING for 12 VDC or 24 VDC power connections.

5.3 Wall Mounting

CM-AF540SO is supplied with a stainless steel faceplate that can be easily mounted to a double gang electrical box. Secure the CM-AF540SO to the In Wall Enclosure with the four screws provided in the Parts Kit. (See Figure 5.2)

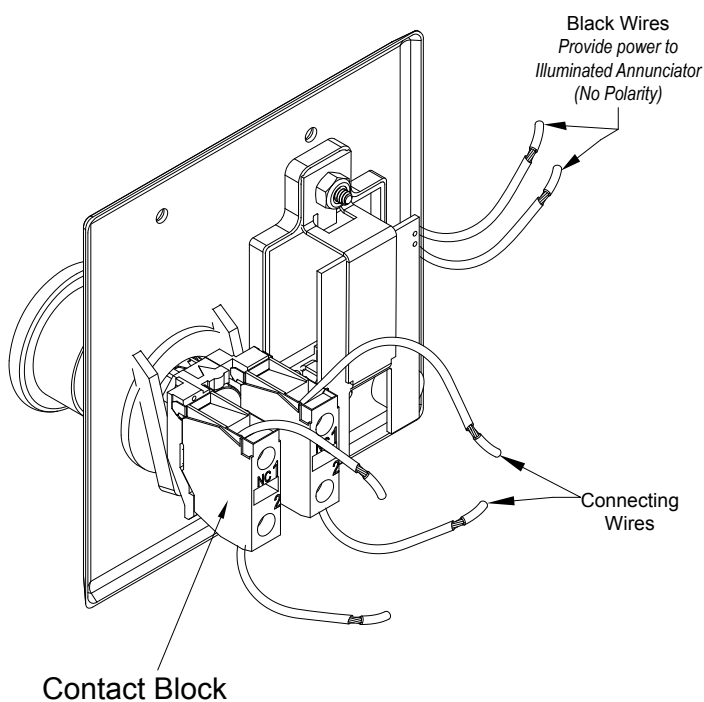


Figure 5.1 Contact Block - Back

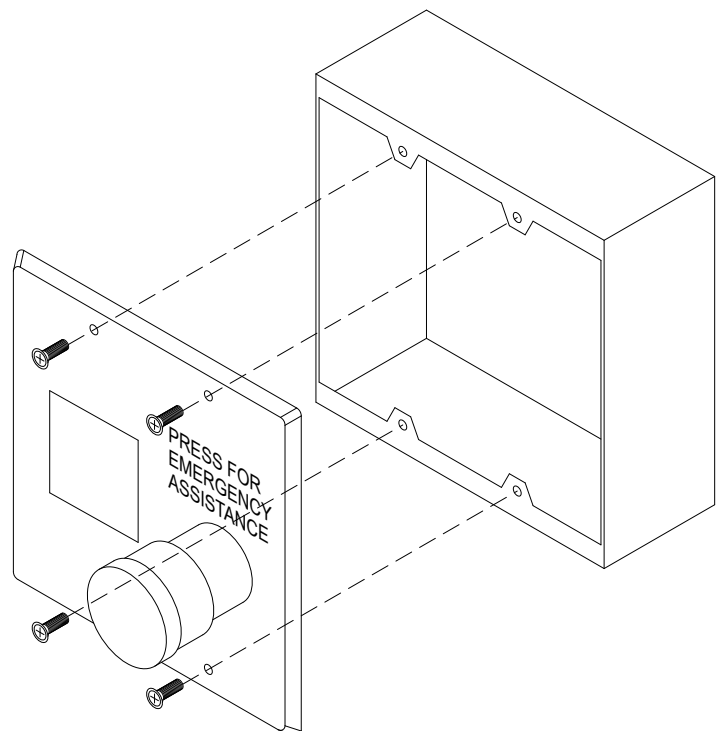
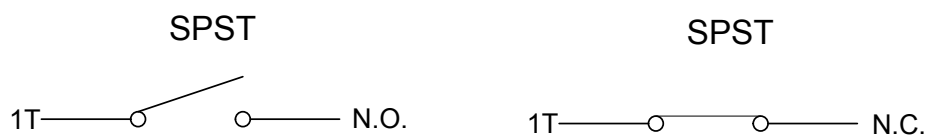


Figure 5.2 Wall Mounting - Front

6. CONTACT BLOCK WIRING



Momentary: When the switch is pressed the current pole will change to the opposite state until released.

Maintained: When the switch is pressed it will provide the opposite pole until the button is pressed again.

7. WIRING

Refer to the Figure 7.1 wiring diagram for proper connection information.

WARNING:

Do NOT apply power to the unit until all wiring is complete.

Wire Color	Connection
Black	12/24V AC/DC +/- 10%
Black	No polarity

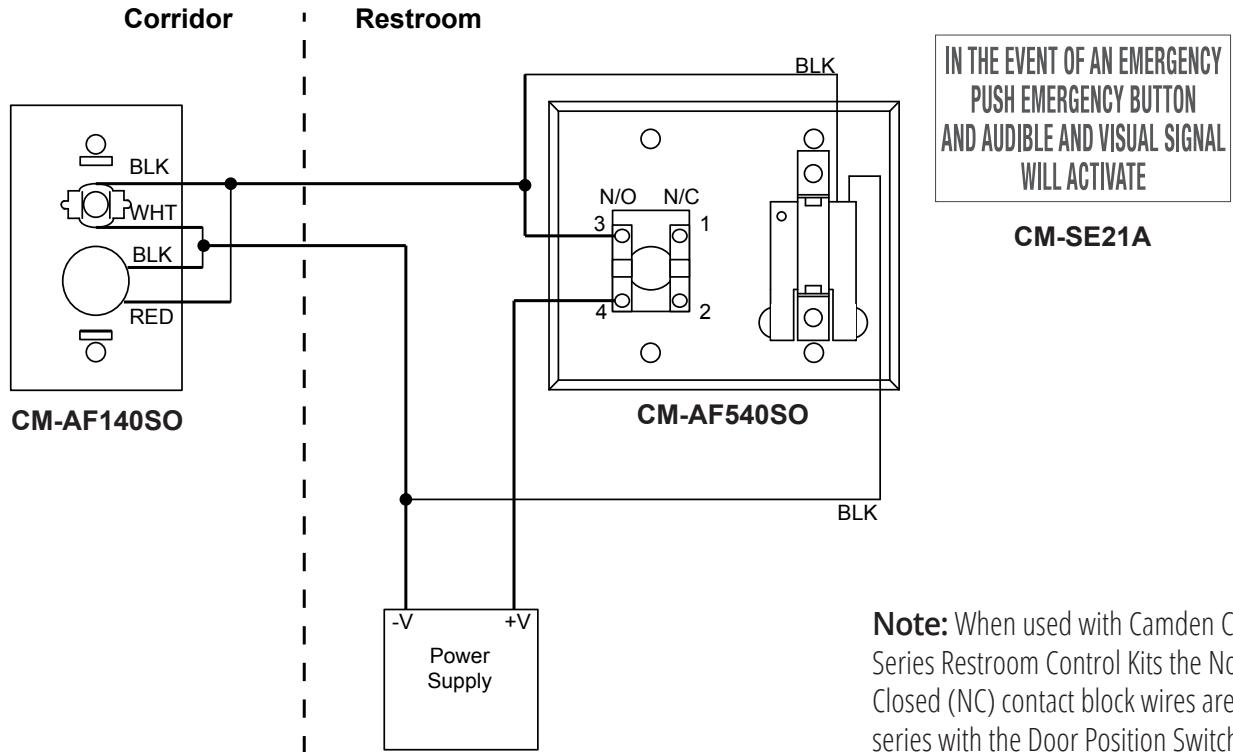


Figure 7.1 Wiring Diagram

Note: When used with Camden CX-WC Series Restroom Control Kits the Normally Closed (NC) contact block wires are in series with the Door Position Switch (DPS).

8. OPERATION

The CM-AF540SO is a Push/Pull switch.

- Push the mushroom button in to change the state of each contact. This state will remain in the changed state until the mushroom button is pulled out.
- Pull the mushroom button out to change the state of each contact block.

9. VOLUME ADJUST

Turn the volume adjust clockwise to increase the volume and counter clockwise to decrease the volume. Turn the volume adjust all the way counter clockwise to turn the sounder completely off. (See Figure 9.1)

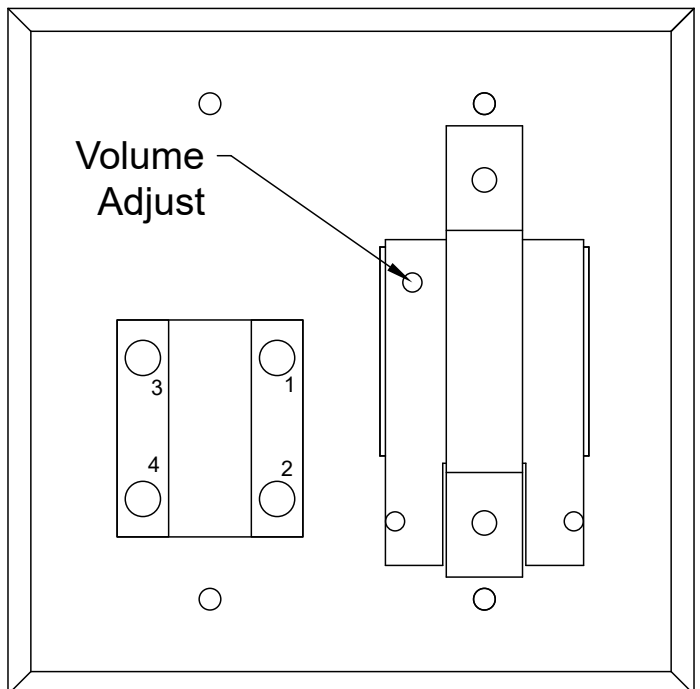


Figure 9.1 Volume Adjust - Rear View

CM-AF540SO Illuminated Annunciator with Sounder

INSTALLATION INSTRUCTIONS

10. PARTS INFORMATION

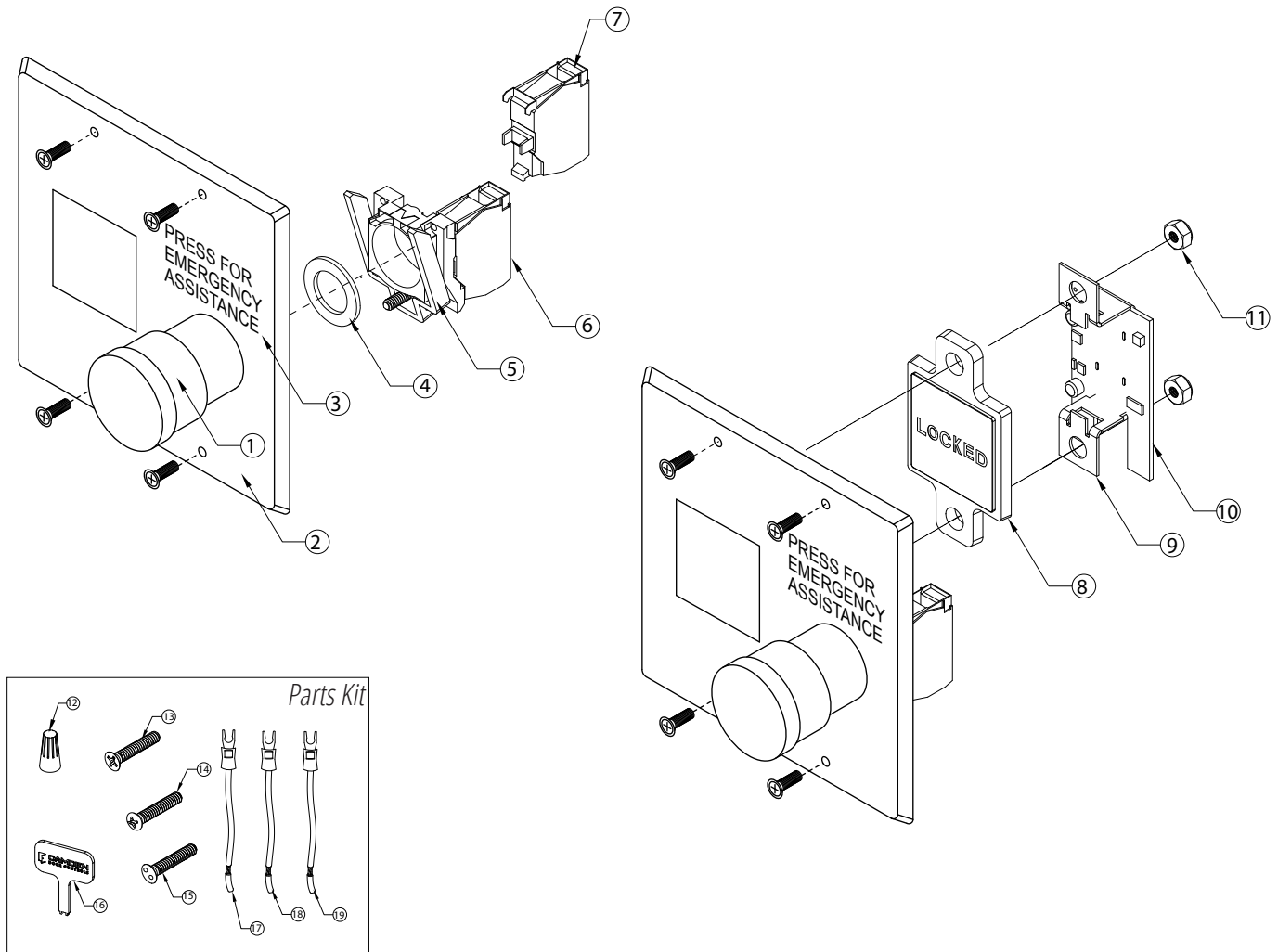


Figure 10.1 Exploded View

Item	Parts Description	QTY	Item	Parts Description	QTY
1	CM-4000/15N Red Mushroom Button Push/Pull	1	11	6-32 Nylon Insert Lock Nuts	2
2	S/S D. G. Faceplate for CM-AF540SO	1	12	Wire Nut	2
3	Faceplate Engraved (in Black)	1	13	6-32 x 3/4" FH PH Screw	2
4	Flat Zinc Washer	1	14	#6-32 x 3/4" SS PH Oval Screw	4
5	CM-4000/54N Contact Block Assembly	1	15	#6-32 x 1" Tamperproof Screw	4
6	Contact Block	1	16	Tamperproof Key	1
7	2nd Contact Block		17	6" Blue Wire C/W Insulated Spade Connector	1
8	Lens Assembly Kit	1	18	6" Orange Wire C/W Insulated Spade Connector	1
9	S/S Bracket for S.G LED Sign and PC Board	1	19	6" Gray Wire C/W Insulated Spade Connector	2
10	CM-A501 PC Board	1			

ORDERING INFORMATION FOR REPLACEMENT PARTS		
ITEM NUMBER	PART NUMBER	DESCRIPTION
1	60-66A000	RED MOMENTARY MUSHROOM BUTTON (DIA. 1 5/8")
2	60-49C058	STAINLESS STEEL DOUBLE GANG FACE PLATE 4 1/2"H X 4 1/2"W X 1 3/4"D (114MM X 114MM X 44MM)
4	60-53U001A01	FLAT ZINC WASHER 0.938 ID X 1.47 OD X .100 THK

INDIVIDUAL CONTACT OPTIONS			
ITEM NUMBER	PART NUMBER	QTY	DESCRIPTION
5	60-66C000 (Provided)	1	NORMALLY OPEN CONTACT BLOCK
6	60-66C001 (Optional)	1	NORMALLY CLOSED CONTACT BLOCK
	60-66C002 (Optional)	1	NORMALLY OPEN AND NORMALLY CLOSED CONTACT BLOCK

COMPATIBLE MOUNTING BOXES OPTION	
PART NUMBER	DESCRIPTION
CM-43CBL	SURFACE BOX, STANDARD DEPTH, PROVISION FOR WIRELESS. DOUBLE WALL, BLACK POLYMER (ABS). FLAME/IMPACT RESISTANT, 4-1/2"W X 4-1/2"H X 2"D.
CM-55CBL	FLUSH BOX, STANDARD DEPTH, FLAME/IMPACT RESISTANT BLACK POLYMER (ABS) 6-1/2"W X 6 1/2"H X 2". FOR USE WITH CM-45/46 SERIES